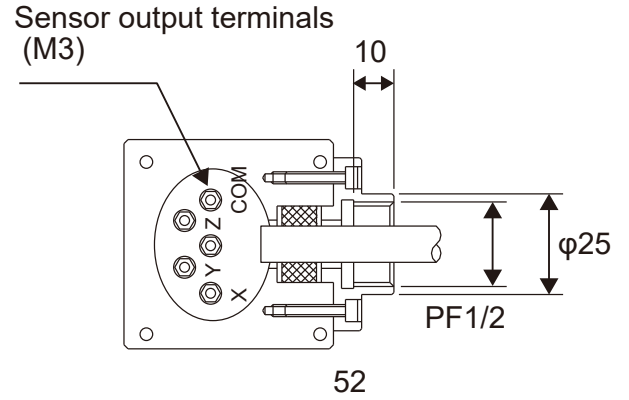
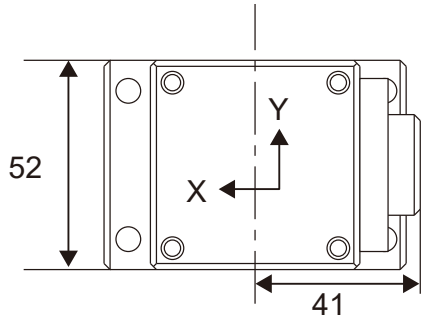
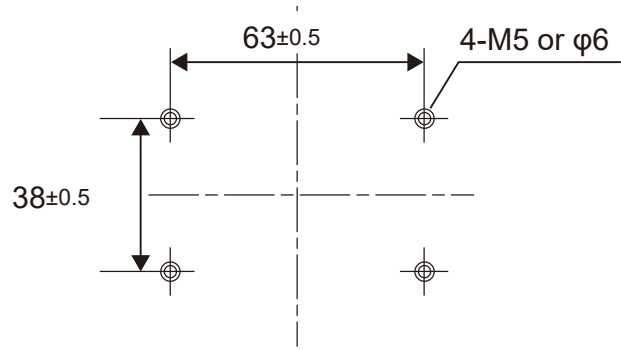
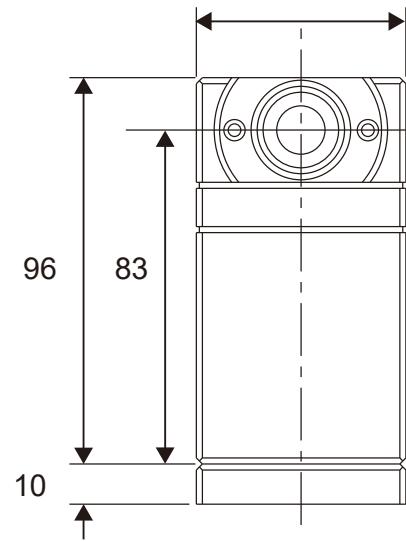
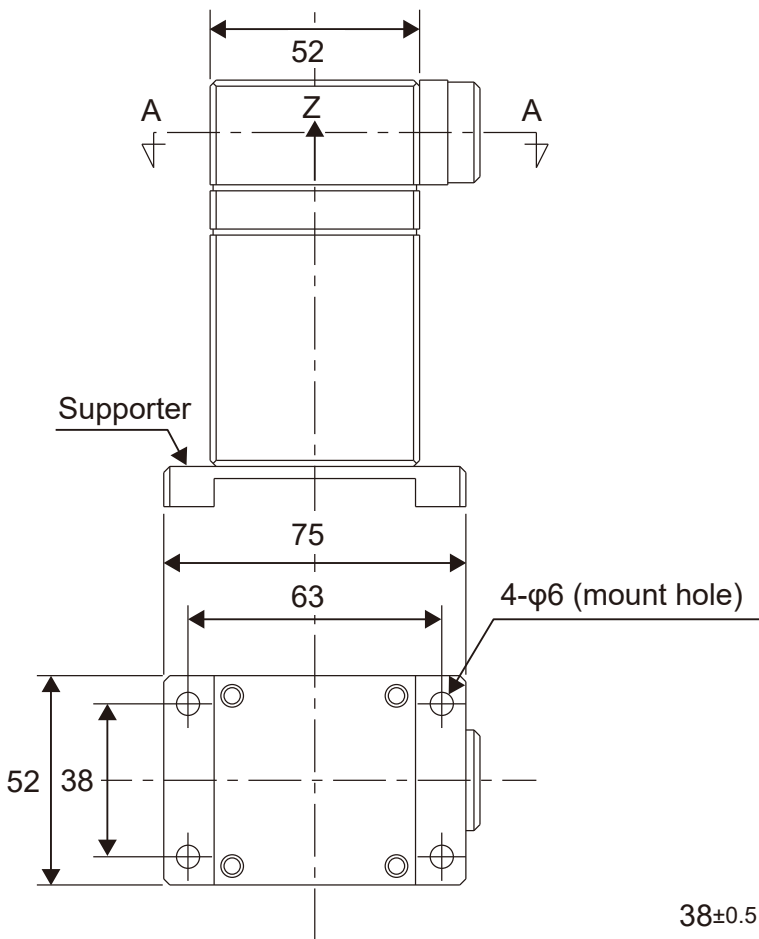


■ Outward dimensions (VP-3354A / VP-3364A)



[sectional view in A-A]



[Pitch]